

HOSE CONTAINMENT

Compatible with:

ABX-3L ABX-2L ABX-PRO

The Hose Containment System is a lightweight accessory for the AutoBox family of cleaning systems that contains and securely stores hoses typically used for heat exchanger tube cleaning.

The Hose Containment System is simple to setup and operate, and greatly increases job site safety by eliminating the potential for high pressure hoses to snag on structure, valves, or other objects. It also increases hose life by reducing wear and makes it easy to store and transport hoses between jobs.

**Custom order only*



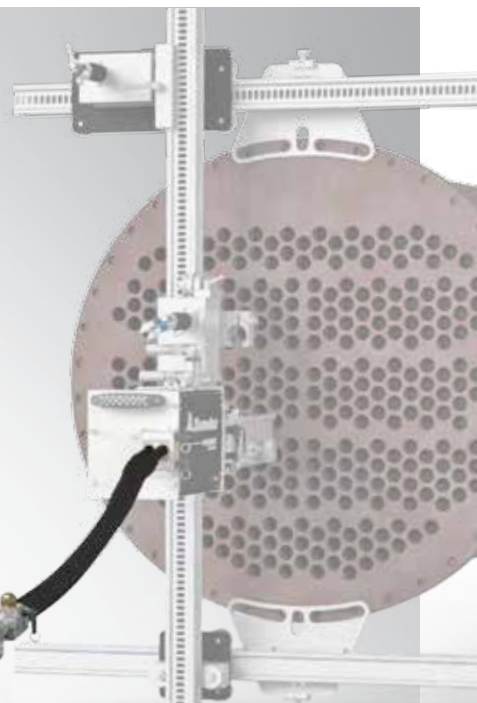
HCS-3L

For use with the ABX-3L (page 10-11)



HCS-2L

For use with the ABX-2L (page 12-13) or ABX-PRO (page 16-17)



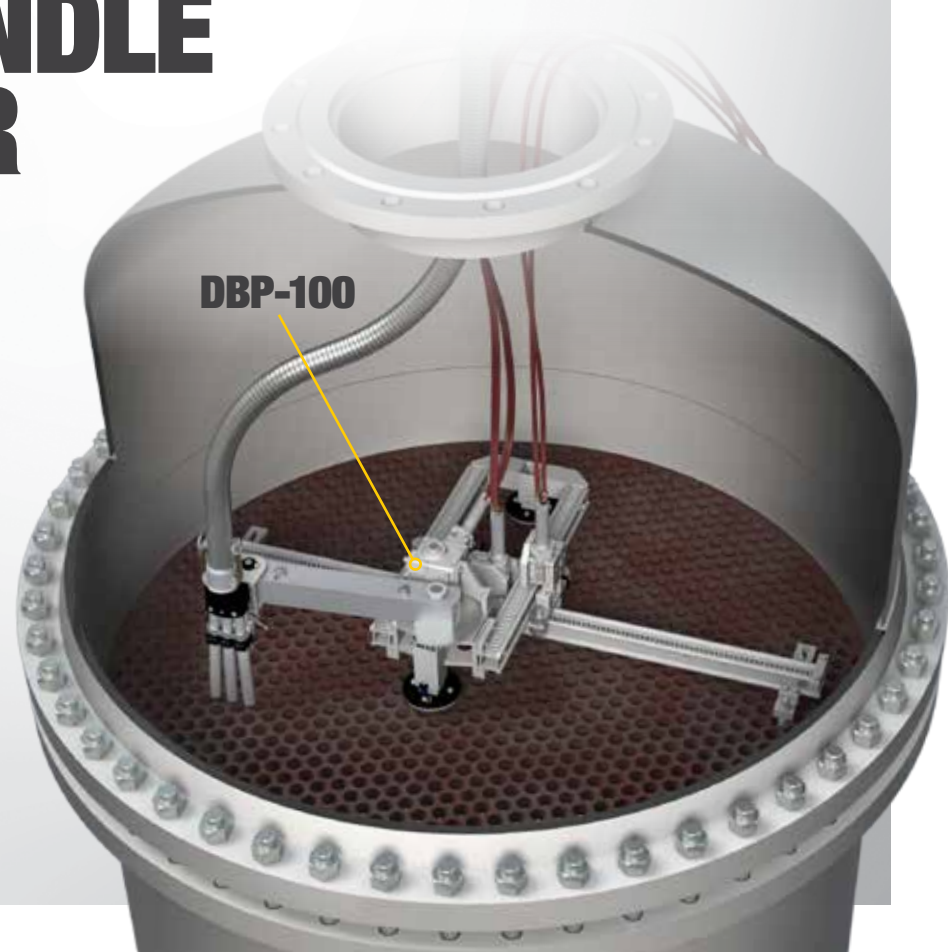
DOMED BUNDLE POSITIONER

NEW COMING SOON!

The Domed Bundle Positioner (DBP) is a motorized positioning system that is used in conjunction with an ABX-3L, ABX-2L, or ABX-PRO hose tractor, snout and control panel to position flex lance guide tubes over heat exchanger tubes in exchangers and evaporators.

FEATURES:

- Maximizes tube sheet coverage
- Remote Camera allows external viewing of lance positioning
- Lightweight, versatile, modular
- Can be set up by a single operator in minutes



DBP-100

FIN FAN

FIN FAN STYLE EXCHANGER CLEANING

Compatible with:

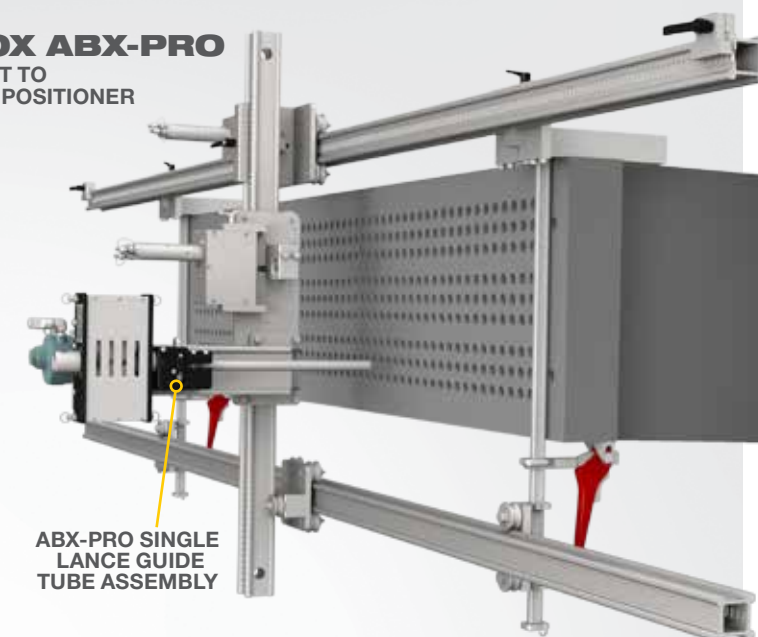
ABX-2L ABX-3L ABX-PRO

The Fin Fan Accessories are designed to adapt the AutoBox family of flex lance systems for the specific requirements of cleaning Fin Fan style exchangers. The Fin Fan kit is compatible with the ABX-PRO, ABX-2L, and ABX-3L.

Fin Fan exchangers can be much wider than standard heat exchangers and are often accessed by very narrow walkways. Fin Fan Accessory components allow the AutoBox and Lightweight Positioner to be safely mounted in tight walkway spaces for this type of cleaning. Customizable rail lengths and simple mounting clamps enable the positioning system to accommodate most Fin Fan headers and configurations.

SINGLE LANCE SYSTEM

AUTOBOX ABX-PRO
DIRECT MOUNT TO
LIGHTWEIGHT POSITIONER



ABX-PRO SINGLE LANCE GUIDE TUBE ASSEMBLY

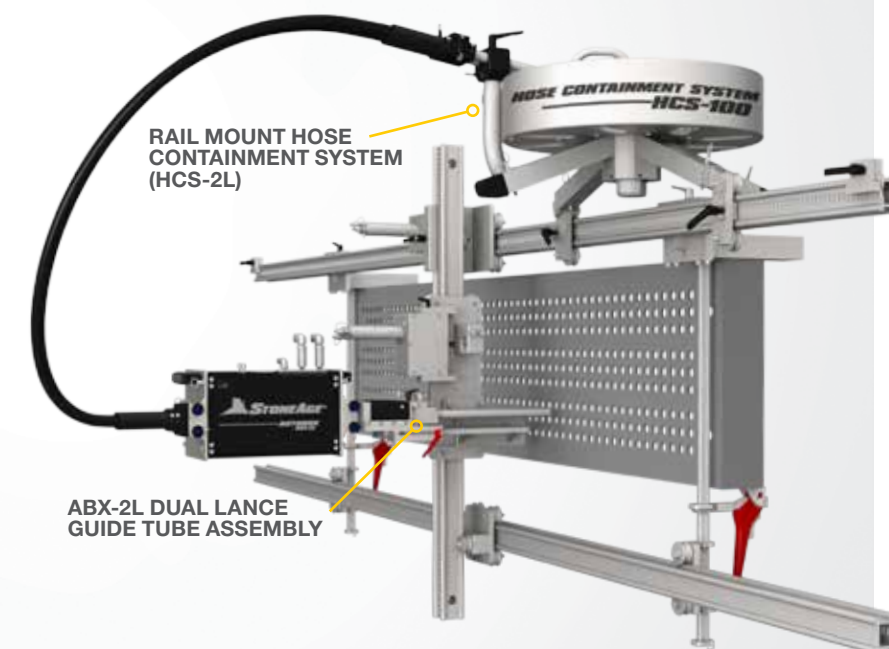
DUAL LANCE SYSTEM

AUTOBOX ABX-2L OR ABX-3L

DIRECT MOUNT TO
LIGHTWEIGHT POSITIONER

ADDITIONAL CONFIGURATION OPTIONS

- SNOUT
- SCAFFOLD MOUNT
- FREE STANDING HOSE CONTAINMENT SYSTEM

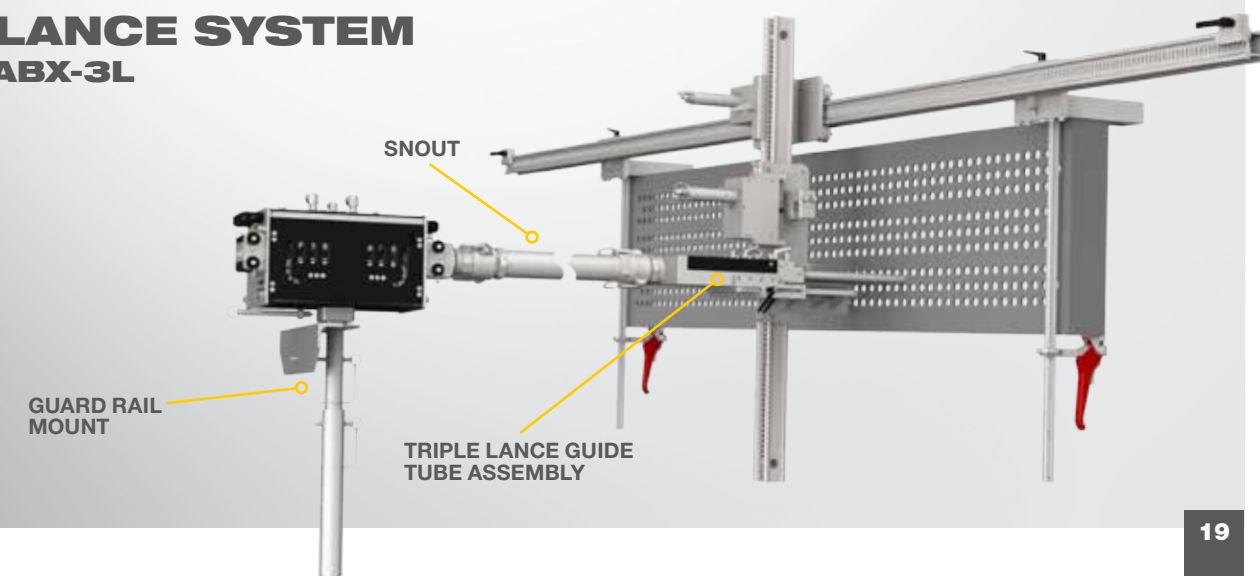


RAIL MOUNT HOSE CONTAINMENT SYSTEM (HCS-2L)

ABX-2L DUAL LANCE GUIDE TUBE ASSEMBLY

TRIPLE LANCE SYSTEM

AUTOBOX ABX-3L



SNOUT

GUARD RAIL MOUNT

TRIPLE LANCE GUIDE TUBE ASSEMBLY