



OPERATING WATERBLASTING EQUIPMENT CAN BE POTENTIALLY HAZARDOUS.
SEE PAGE 121 FOR IMPORTANT SAFETY INFORMATION

EXCHANGER CLEANING

BANSHEE®

Banshee tube cleaning nozzles are the industry standard for effective tube cleaning. They use high pressure water as a liquid bearing, thereby eliminating ball bearings, seals or lubricant used in conventional rotary tools. Each tool is easily configured to suit any application by choosing from a variety of replaceable heads and inlet options.

FEATURES:

- Patented liquid bearing design means no bearings, seals, or lubricants to replace
- Stainless steel construction for extreme durability and longevity
- Multiple inlet options & replaceable heads make configurations easy
- Shrouded model keeps head protected and rotating when tool is pushed against a plug

IDEAL FOR:

- Unplugging, cleaning, and polishing tubes, such as those found in heat exchangers and industrial tube bundles
- Effectively removes thin, hard scale, carbons, coke, and polymers
- Ideal for manual and powered lancing operations



BANSHEE SPECIFICATIONS 22K PSI (1500 BAR)

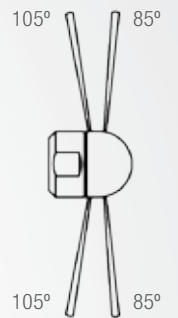
	Tube I.D. Range	Max. Pressure	Max. Pressure (BSP Inlet)	Flow Range	Inlet Connections	Diameter	Length
BN9.5	0.47-0.63 in. 12-16 mm	22k psi 1500 bar	N/A	4.5-8 gpm 17-30 l/min	M7, 1/16 NPT, 1/4 LH or 1/4 RH	0.37 in. 9.5 mm	2.6 in. 65 mm
BN13	0.60-1.0 in. 15-25 mm	22k psi 1500 bar	18k psi 1250 bar	7-10 gpm 27-38 l/min	1/8 NPT, 1/8 BSPP, 1/4 LH, 1/4 RH, 3/8 LH or 3/8 RH	0.50 in. 13 mm	2.9 in. 74 mm
BN15	0.75-1.2 in. 19-30 mm	22k psi 1500 bar	18k psi 1250 bar	8-10 gpm 30-38 l/min	1/8 NPT, 1/8 BSPP, 3/8 LH/RH	0.6 in. 15 mm	3.0 in. 76 mm
BN18	0.87-1.3 in. 22-33 mm	22k psi 1500 bar	20k psi 1400 bar	8-14 gpm 30-53 l/min	1/4 NPT, 1/4 BSPP, 9/16 LH or 9/16 RH	0.69 in. 18 mm	3.8 in. 97 mm
BN24	1.1-2 in. 28-51 mm	22k psi 1500 bar	22k psi 1500 bar	12-25 gpm 45-95 l/min	3/8 NPT, 3/8 BSPP, 9/16 LH or 9/16 RH	0.93 in. 24 mm	5.1 in. 130 mm
BN33	1.5-2.4 in. 38-60 mm	22k psi 1500 bar	15k psi 1000 bar	12-49 gpm 45-190 l/min	1/2 NPT, 1/2 BSPP, or 9/16 MP	1.3 in. 33 mm	6.9 in. 180 mm
BT12	0.60-1.0 in. 15-25 mm	22k psi 1500 bar	N/A	Up to 8.5 gpm 32 l/min	P1, M7, MPL4, MPR4	0.50 in. 13 mm	1.3 in. 33 mm
BT18	0.87-1.3 in. 22-33 mm	22k psi 1500 bar	18k psi 1250 bar	Up to 11 gpm 42 l/min	P1, P2, BSPP2, MPL6, MPR6, MPL4, MPR4	0.69 in. 18 mm	1.5 in. 39 mm
BT25	1.2-3.0 in. 30-76 mm	8-22k psi 550-1500 bar	N/A	8-20 gpm 30-76 l/min	1/8 NPT, 1/4 NPT, 1/4 BSPP, 3/8-28 LH/RH, 9/16-18 LH/RH	1.0 in. 26 mm	1.9 in. 48 mm

12 MODELS AVAILABLE

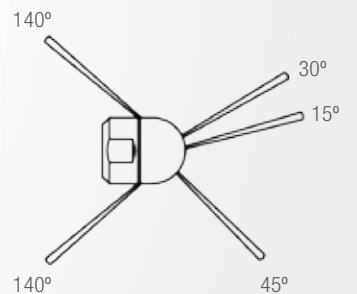
UP TO 40K PSI (2800 BAR)

- BN33**
1.5-2.4 in. I.D. Tubes (38-60 mm)
- BN27-40K**
1.25-2.0 in. I.D. Tubes (32-51 mm)
- BN24**
1.1-1.8 in. I.D. Tubes (28-46 mm)
- BN18-40K**
0.87-1.3 in. I.D. Tubes (22-33 mm)
- BN18**
0.87-1.3 in. I.D. Tubes (22-33 mm)
- BN15**
0.75-1.2 in. I.D. Tubes (19-30 mm)
- BN13-40K**
0.60-1.0 in. I.D. Tubes (15-25 mm)
- BN13-SHROUDED**
0.60-1.3 in. I.D. Tubes (15-33 mm)
- BN13**
0.60-1.0 in. I.D. Tubes (15-25 mm)
- BN9.5**
0.47-0.63 in. I.D. Tubes (12-16 mm)
- NEW! BT25 - EXCELLENT FOR CURVED TUBES**
1.2-3.0 in. I.D. Tubes (30-76 mm)
- BT18 - EXCELLENT FOR CURVED TUBES**
0.87-1.3 in. ID Tubes (22-33 mm)
- BT12 - EXCELLENT FOR CURVED TUBES**
0.60-1.0 in. I.D. Tubes (15-25 mm)

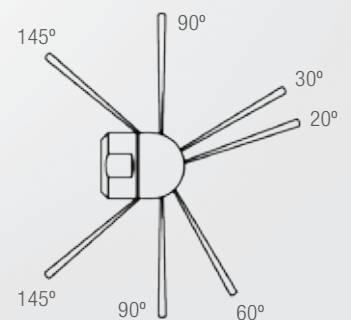
3 STANDARD HEAD CONFIGURATIONS



POLISHER
4 PORTS: 2 @ 85°, 2 @ 105°



UNPLUGGER
5 PORTS: 1 @ 15°, 1 @ 30°, 1 @ 45°, 2 @ 145°



UNIVERSAL
7 PORTS: 1 @ 20°, 1 @ 30°, 1 @ 60°, 2 @ 90°, 2 @ 145°