

# LIGHTWEIGHT STRIKER

## Automated Shotgun Cleaning System



48 in. W x 44 in. L  
1220 mm W x 1118 mm L

The Lightweight Striker SKRL-100 is designed for automated shotgunning in hard to access locations. The system can be quickly disassembled into modular components that fit through standard manway openings and meet plant requirements for single man lift.

Contractors can use the Lightweight Striker for hands free surface prep on elevated platforms, inside of tanks, and other limited access locations that previously required manual cleaning. Custom engineered nozzles generate maximum cleaning thrust and ensure safe operation.

### COMPETITIVE ADVANTAGES

- Smaller, more portable, and easier to carry, the Lightweight Striker is the only product on the market that is truly “one man portable” for in place cleaning and difficult to access applications
- System can be fully assembled in less than 5 minutes with minimal hand tools
- Ability to fine tune the speed and resistance of the “wrist” motion to maximize productivity
- Least expensive automated remote shotgun tool on the market

FEATURES	BENEFITS
<ul style="list-style-type: none"> <li>• Water tank ballast</li> </ul>	<ul style="list-style-type: none"> <li>• Allows system to handle thrust (55 lb/25 kg) without compromising portability</li> </ul>
<ul style="list-style-type: none"> <li>• Modular construction with small footprint</li> </ul>	<ul style="list-style-type: none"> <li>• Easily assembled/disassembled and transported for in place cleaning in hard to access locations</li> <li>• Breaks down into components weighing less than 40 lb/18 kg each</li> <li>• Fits through 21 in. (534 mm) man way (disassembled)</li> </ul>
<ul style="list-style-type: none"> <li>• Custom 10k and 20k nozzles</li> </ul>	<ul style="list-style-type: none"> <li>• Specifically engineered to ensure safe operation while delivering maximum thrust</li> </ul>
<ul style="list-style-type: none"> <li>• Three-dimensional motion capability (height, width, and depth)</li> </ul>	<ul style="list-style-type: none"> <li>• Access a large cleaning window without repositioning the system for greater efficiency</li> </ul>
<ul style="list-style-type: none"> <li>• Full wrist articulation</li> </ul>	<ul style="list-style-type: none"> <li>• Control of wrist rotation and flex allows for precise positioning of shotgun jets to clean intricate surfaces</li> </ul>
<ul style="list-style-type: none"> <li>• Ergonomic control box</li> </ul>	<ul style="list-style-type: none"> <li>• Allows operation from outside the blast zone for increased safety</li> </ul>

## CONSIDERATIONS

- **Do you need a dump valve and foot pedal?**  
Foot pedal, dump valve, and 1/4" hose are not included in the base package – work with your customer service representative to source these items.
- **Do you need additional anchoring or mounting options?**  
Contact StoneAge Solutions if your application requires special anchoring or mounting accommodations.

## TOOL SPECIFICATIONS

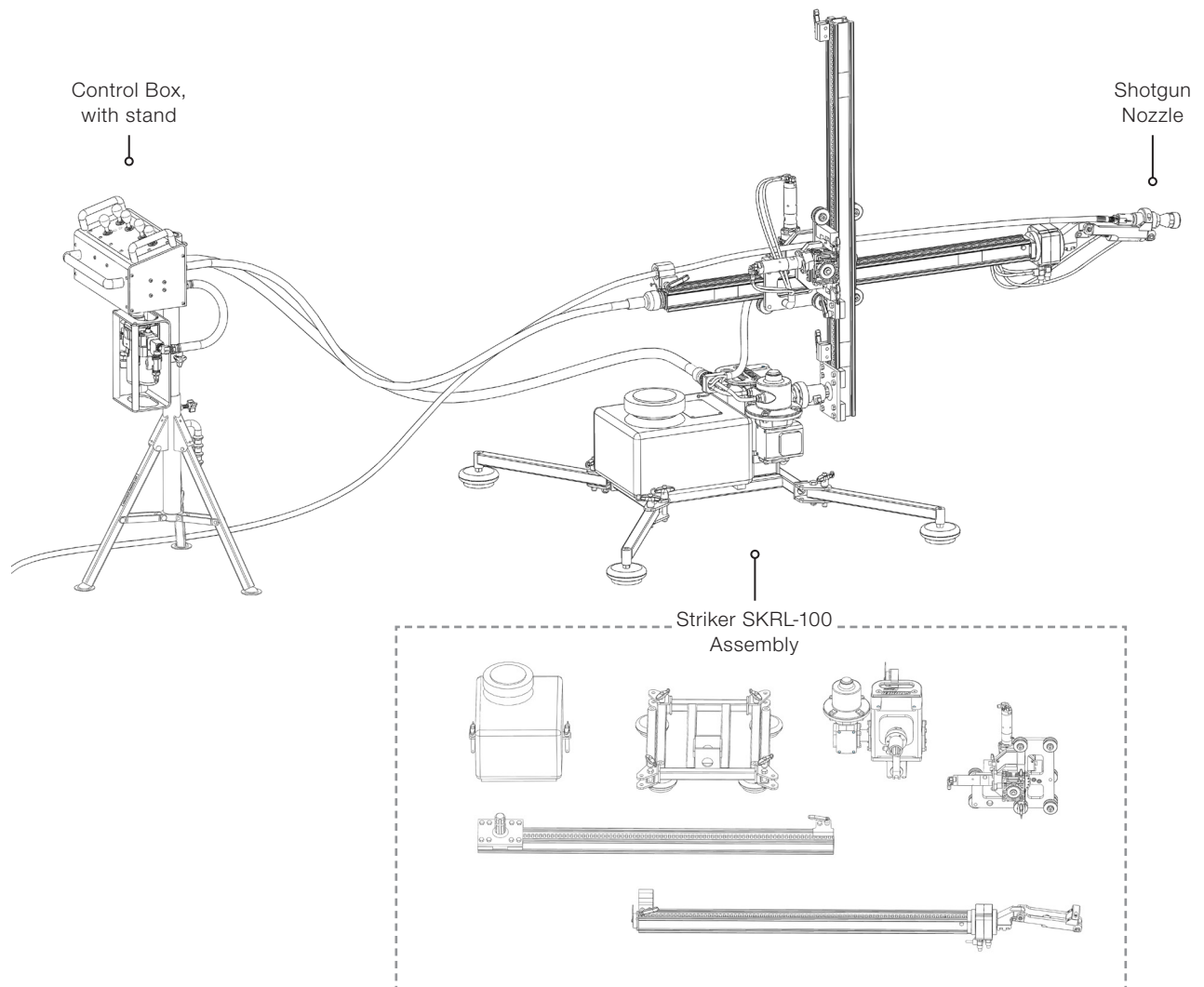
MODEL	SKRL-100
<b>Cleaning Window</b>	47 in. H x 68 in. W x 40 in. D 1194 mm x 1727 mm x 1016 mm
<b>Operating Pressure</b>	10k or 20k psi 700 or 1400 bar
<b>Reaction Force</b>	Up to 55 lb 25 kg
<b>Air Supply Pressure</b>	80–125 psi 0.70–0.86 MPa
<b>Footprint Dimensions, Extended</b>	48 in. W x 44 in. L x 57 in. H 1220 mm x 1118 mm x 1448 mm
<b>Weight, Assembled*</b>	153 lb 69 kg
<b>Control Box Weight</b>	43 lb 19.5 kg
<b>Recommended Operational Temperature</b>	-4–140 °F -20–60 °C

\*System can be disassembled for transport.

Visit our website for tool resources including operation and maintenance videos:

**[WWW.STONEAGETOOLS.COM](http://WWW.STONEAGETOOLS.COM)**

# LIGHTWEIGHT STRIKER CONFIGURATION



**A complete Lightweight Striker configuration includes the following components:**

1. Striker SKRL-100 system assembly
2. Control box
3. Shotgun nozzle package for required pressure

**The following items may also be requested:**

1. Foot pedal and dump valve

# LIGHTWEIGHT STRIKER CONFIGURATION

## ORDERING THE PACKAGE

StoneAge offers preconfigured Striker SKRL-100 packages. Optional items can be ordered separately.

Select a base package from the following configurations:

PACKAGE PART ID	PACKAGE CONTENTS
<b>SKRL-100-P4-PKG</b>	1 x <b>SKRL-100</b> Lightweight Striker
	1 x <b>CB-SKR</b> Control box
	1 x <b>SKRL 103</b> Hose kit, 10k
<b>SKRL-100-MP9-PKG</b>	1 x <b>SKRL-100</b> Lightweight Striker
	1 x <b>CB-SKR</b> Control box
	1 x <b>SKRL 203-K</b> Hose kit, 20k

Select the nozzle to match your application:

NOZZLE PART ID	DESCRIPTION
<b>SKRL-P4</b> 10k/700 bar	Rotary Swivel Assy, 10k, with <b>CNM16 042</b> nozzles
<b>SKRL-MP9</b> 20k/1400 bar	Rotary Swivel Assy, 20k, with <b>CNM12 032</b> nozzles

## Optional Items

PART ID	DESCRIPTION
FPA-SKR	Foot Pedal Assembly for Striker, Pneumatic
ACDA 61020019-K	Kit, Dump Valve, 20k, w/Air Fittings

## Wear and Spare Items

PART ID	DESCRIPTION
BU 152	Rail Stop Assembly
LWP 550	Gearbox, Motovario
SKRL 103	Hose, 1/4NPT 3/4 TypeM F, 8/2, Yellow, 20ft
SKRL 110	Base Assembly
HC 098	Bolt 1/2-13 X 2-1/2 SS (GB 350-10)
GN 350-H	Nut 1/2-13 Hex SS
GN 350-L	Nut 1/2-13 Lock SS
SKR 330	Foot, 1/2-13 Thread
SKR 331-001	Stud, 1/2"-13 X 2.5, Full Thread
SKRL 115	Weldment, Outrigger Base
SKRL 120	Weldment, Outrigger
SKRL 130	Quick Release Pln, T-Handle, .5 X 2.0L
SKRL 170	Quick Release Pln, T-Handle, .25 X 2.0L
SKRL 177	Air Motor Assembly
SKRL 190	Water Tank
SKRL 203-K	Kit, 20k Hose w/Fittings, 8/4, Blue, 20ft